

93-4 Push-to-Close Latch

Turn-to-open · Wing style

Features

- Turn-to-open
- Single hole installation

Accessories

- Keeper (replacement): 93-14-101-11
- Flat key, keyed alike CH751 (2 keys per ring): PK-10-01
- Overmolded key, keyed alike CH751 (2 keys per ring): PK-10-01-05

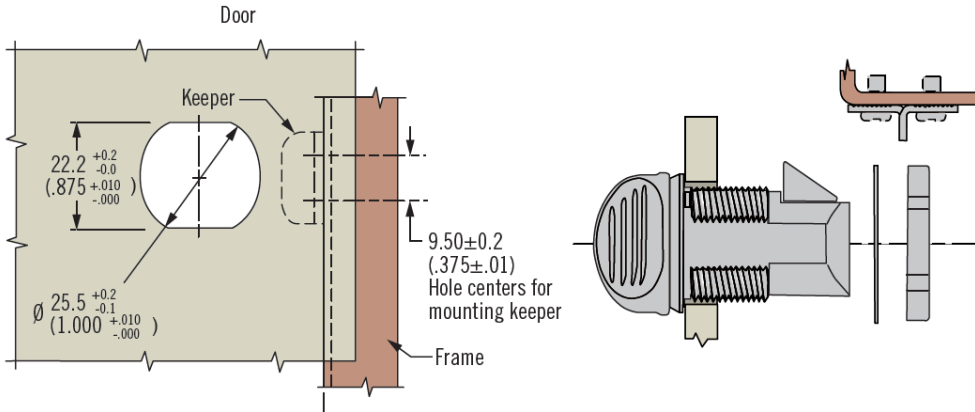
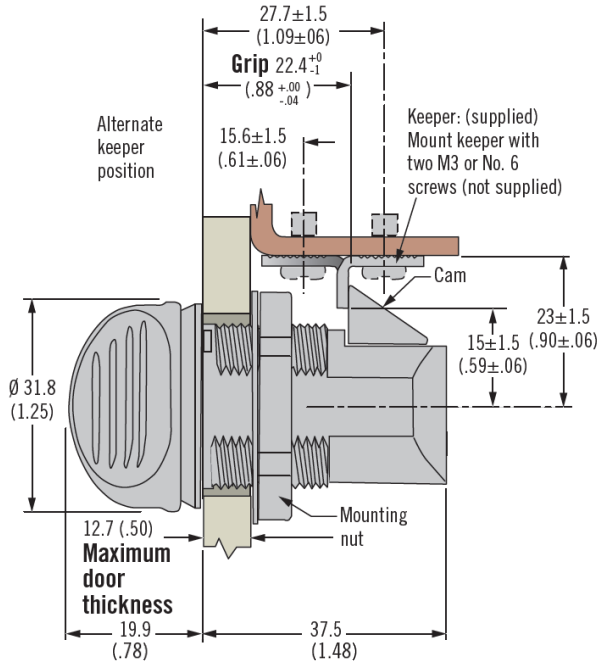
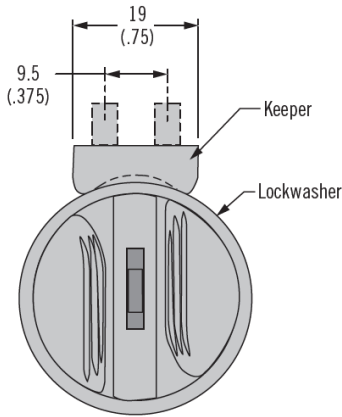


Material

- Glass-filled nylon and acetal, black

Product Performance

- Maximum working load: 425 N
- Operating temperature range: -20 °C to 65 °C
- Flammability rating: UL94-HB
- Maximum tightening torque on mounting nut: 6 N.m



Latch Part Number (2 Flat Keys Supplied)
93-402

PUSH-TO-CLOSE LATCHES